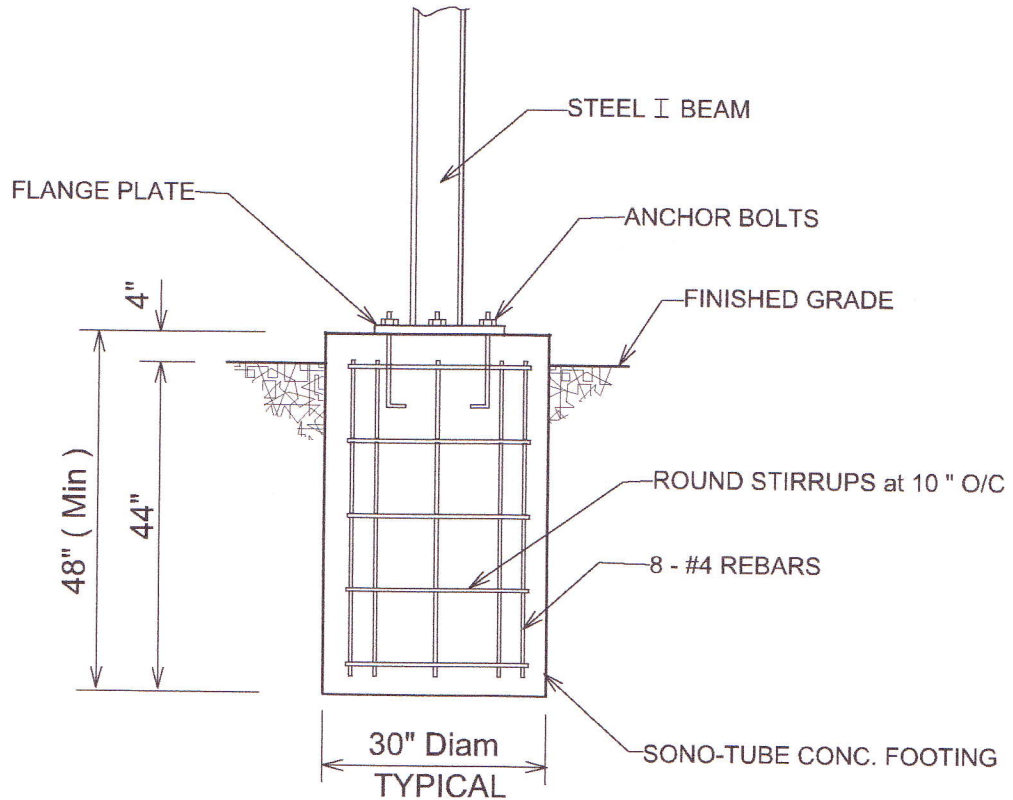


**PLAN VIEW**



**SECTION 'A-A'**

**NOTE**

1. EXACT SIZES OF CONCRETE PIERS AND DEPTH DEPENDS ON WALL SIZE AND SITE CONDITIONS ( AND TO BE ENGINEERED )
2. THE ABOVE DRAWING IS A REPRESENTATION OF A TYPICAL CONSTRUCTION DETAIL AND IS NOT INTENDED TO BE USED WITHOUT CONSULTING WITH HLH WALLS ENGINEERING DEPARTMENT FOR YOUR SPECIFIC USE.



**ABOVE GROUND I BEAM  
FLANGE PLATE INSTALLATION**

DATE : FEB 4 / 10
DWN BY : M.F.
REVWD BY :
SCALE :
DWG # :